

ORIGHT PEOPLE COUNTING SOLUTION

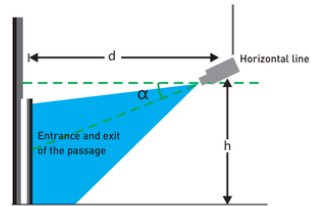
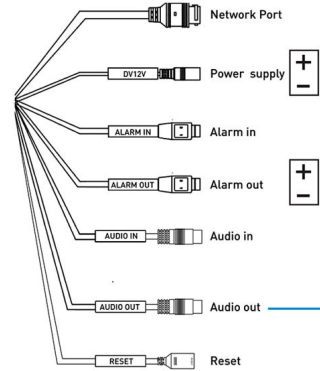
HELPS BUSINESSES MANAGE GOVERNMENT
DENSITY REQUIREMENTS



PRODUCT DATASHEET

A CAMERA WITH MULTIPLE POSSIBILITIES

Data-sheet :	
Image Sensor	1/2.8" Progressive Scan CMOS
Shutter Time	1/125~1/8000s
Min. Illumination	Color 0.005Lux@F1.2; B/W 0.007Lux@F1.2;
S/N	≥50dB(AGC OFF)
WDR	≥80dB
Noise Reduction	3D Digital Noise Reduction
AF Lens	2.8-12mm F1.4, Horizontal view: 43°~14
Video Compression	
Video Compression	H.265+/H.265/H.264/MJPEG
Code Type	Main Profile
Video Bit Rate	32 Kbps~16Mbps
Video Image	
Image setting	Brightness/Contrast/Saturation/Sharpness/AWB/AGC ; Support privacy masking and OSD
Video resolution	1920 × 1080
Video resolution	Main stream 1080P(1920×1080)/1280×720 Sub stream D1(704×576)/VGA(640×480)/640×352/QVGA(320×240)
Video frame	50Hz: 1~25fps 60Hz: 1~30fps
On-screen display(OSD)	Support
Network	
Network protocol	IPv4,TCP/IP, UDP, RTP, RTCP, UPNP, RTSP, SMTP, NTP, DHCP, DNS, PPPOE, DDNS, FTP ;
Access standard	ONVIF/ GB28181
User number	Max 8 user at same time
Connect Interface	
Network Interface	1CH RJ45 10M/100M
Audio Interface	1CH Audio out, can connect to loudspeaker 1CH Audio In
Alarm out Interface	1CH alarm out, can use to connect alarm device
Reset Interface	1CH Reset
Expand Interface	Micro SD slot, can be insert 128G SD card
General Parameters	
IR Distance	Max up to 30M
Power supply	DC 12V±20% / POE(802.3at) (Optional)
Power consumption	DC12V : 12W MAX
Working Temperature & humidity	-30°C~60°C,humidity lower than 95%(No condensation)
Waterproof	IP66
Device Dimensions	208.4*100.01*94.96mm
Net weight	1200g(include install parts))
Install way	Wall or hoisting



PHONE: (03) 8618 6915
EMAIL: INFO@ORIGHT.COM.AU
WWW.ORIGHT.COM.AU

SUITE 893 585 LITTLE COLLINS STREET MELBOURNE VIC 3000